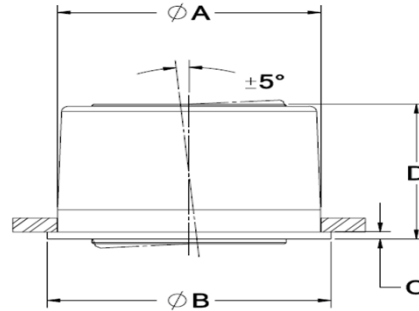




## PRESS-FIT, SELF-ALIGNING BRONZE BEARINGS



Spyraflo's Press-Fit retainers allow non-metallic assemblies and housings to benefit from  $\pm 5^\circ$  self-aligning. Steel side frame applications requiring serviceability are also ideally suited for the press-fit retainer.

SAE-840 Oil Impregnated Bronze Bearings are an economic solution for medium load / medium speed applications, 25% oil volume within the porous structure of the spherical insert ensures long bearing life

- Electrically conductive.
- Suitable for rotational and oscillatory motion.
- Maintenance free.
- The steel retainer absorbs the installation forces with zero effect on the bearing ID.

Refer to the Installation section on [www.spyraflo.com](http://www.spyraflo.com) for installation instructions.

Part Number	ID Actual Min. Max.	Max. Load lbf/N	Max. Speed r.p.m.	Mounting Hole A	B	C	D	Weight oz/g
PSB-125	0.1255 - 0.1260	70	30,550	0.344	0.41	0.03	0.27	0.07
PSB-187	0.1883 - 0.1888	190	20,310	0.500	0.56	0.03	0.38	0.19
PSB-250	0.2508 - 0.2513	360	15,270	0.500	0.56	0.03	0.38	0.22
PSB-312	0.3133 - 0.3140	430	12,240	0.625	0.69	0.03	0.43	0.27
PSB-375	0.3758 - 0.3765	430	10,180	0.625	0.69	0.03	0.43	0.32
PSB-500	0.5010 - 0.5017	600	7,640	0.812	0.88	0.03	0.60	0.60
PSB-625	0.6260 - 0.6270	1,650	6,110	1.063	1.13	0.03	0.77	1.40
PSB-750	0.7510" - 0.7520"	2,000	1,150	1.250	1.31	0.03	0.85	2.10
PSB-4M	4.010 - 4.030	800	24,170	12.70	14.2	0.75	9.6	6
PSB-6M	6.020 - 6.040	1,530	16,110	12.70	14.2	0.75	9.6	5
PSB-8M	8.020 - 8.040	1,850	12,120	15.90	17.4	0.75	10.8	9
PSB-10M	10.020 - 10.040	1,850	9,700	15.90	17.4	0.75	10.8	8
PSB-12M	12.030 - 12.050	2,550	8,060	20.60	22.2	0.75	15.2	19
PSB-15M	15.030 - 15.050	7,000	6,460	27.00	28.5	0.75	19.6	41
PSB-16M	16.030 - 16.050	7,000	5,500	27.00	28.5	0.75	19.6	41

For more information about Spyraflo bearings visit [www.spyraflo.com](http://www.spyraflo.com).